

WTZ6V-E 12Volt 6Ah

Specifications

Nominal Voltage(V) **12V**

Nominal Capacity

10 hour rate	(0.6A	to	10.50V)	6Ah
5 hour rate	(1.02A	to	10.20V)	5.1Ah
1 C	(6A	to	9.60V)	2.7Ah
3 C	(18A	to	9.60V)	2.1Ah

Weight **Approx. 2.07kg(4.55Lbs.)**

Internal Resistance (at 1KHz) **Approx. 14 mΩ**

Cold Cranking Amperes (-17.8) **90A**

High rate discharge characteristics (-10)

Discharge current (A)	40A
Duration (min)	0.9min
5 second voltage (V)	8.6V

Operating Temperature Range

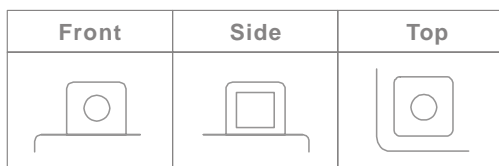
Charge	-15 (5)	to	40 (104)
Discharge	-15 (5)	to	50 (122)
Storage	-15 (5)	to	40 (104)

Charge Retention (shelf life) at 20 (68)

1 month	92%
3 month	90%
6 month	80%

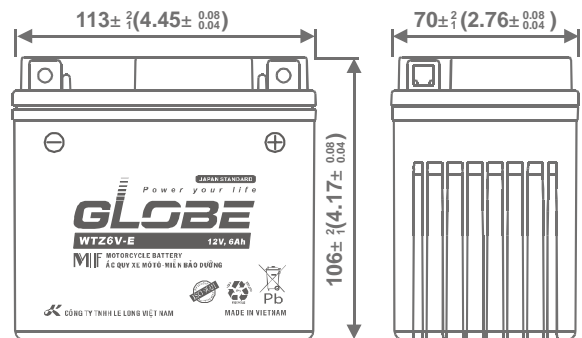
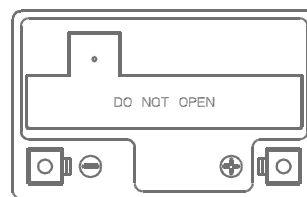
Case Material **PP**

Terminal Shape

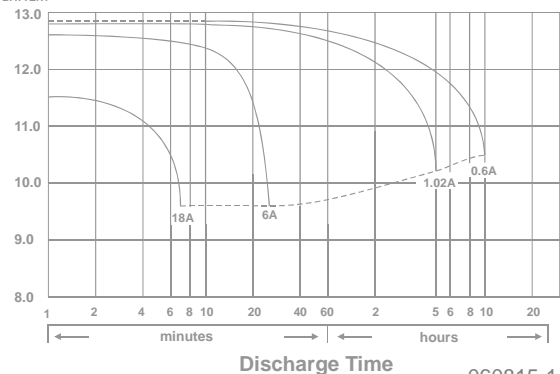


Dimensions

mm(inch)



(v) FOR 12V BATTERY Discharge Time VS. Discharge Current (25)



060815-1A-V