

⚡ Specifications

Nominal Voltage(V)

12V

Nominal Capacity

20 hour rate	(3.75A to 10.50V)	75Ah
10 hour rate	(7.125A to 10.50V)	71.25Ah
5 hour rate	(12.75A to 10.20V)	63.75Ah
1 C	(75A to 9.60V)	40Ah
3 C	(225A to 9.60V)	26.25Ah

Weight

Approx. 22.5kg(49.5Lbs.)

Internal Resistance (at 1KHz)

Approx. 6 mΩ

Maximum Discharge Current for

5 seconds: 900A

Charging Methods at 25°C(77°F)

Maximum Charging Current :	22.5A
Standby use:	
Float Charging Voltage	13.5 to 13.8V
Coefficient -3.0mV/°C/cell	

Operating Temperature Range

Charge	-15°C(5°F)	to	40°C(104°F)
Discharge	-15°C(5°F)	to	50°C(122°F)
Storage	-15°C(5°F)	to	40°C(104°F)

Charge Retention (shelf life) at 20°C(68°F)

1 month	98%
3 month	94%
6 month	85%

Case Material

ABS UL94 HB
Option: Flammability resistance of (UL94 V-0)

Design Life

EUROBAT(20°C) : 10/12 YEARS LONG LIFE

Terminal

F8



⚡ Dimensions

Length (L) $260 \pm 1^{+0.08}_{-0.04}$

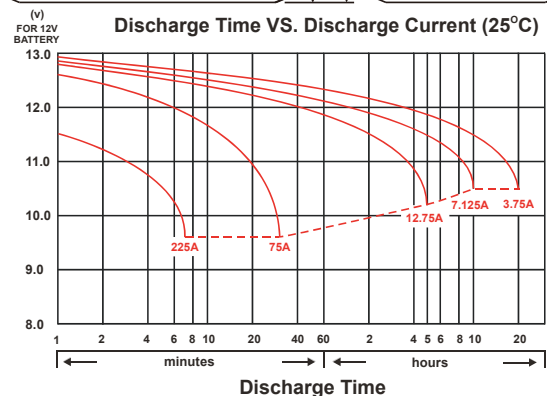
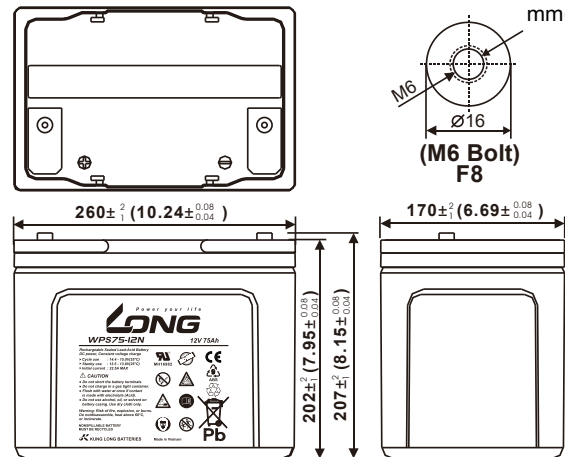
Width (W) $170 \pm 1^{+0.08}_{-0.04}$

Height (H) $202 \pm 2^{+0.08}_{-0.04}$

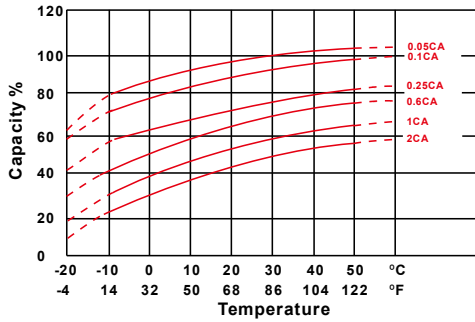
Overall Height (HT) $207 \pm 2^{+0.08}_{-0.04}$

Description of torque value of hardware for the terminals:

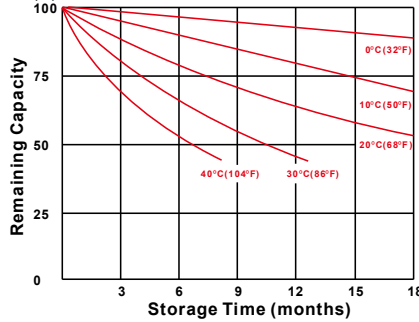
Recommended torque value M6: 7 N-m (71 kgf-cm)
Maximum allowable torque value M6: 10 N-m (102 kgf-cm)



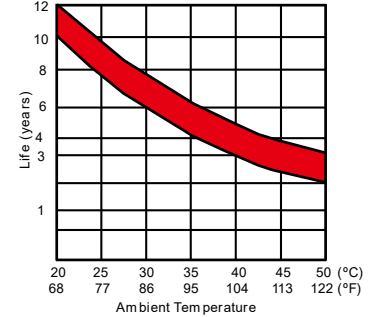
Effect of Temperature on Capacity 25°C(77°F)



Capacity Retention Characteristic



Influence of Temperature on Trickle(Float) Design Life



- PERFORMANCE DATA

Discharge Rates in Watts to Various End Voltages at 25°C (77°F)

End Voltage		1.85V	1.80V	1.75V	1.70V	1.67V	1.65V	1.60V
Time								
5	min	410	445	470	495	515	525	535
10	min	365	385	400	415	425	433	440
15	min	263	278	291	302	308	313	318
30	min	140	150	160	164	166	168	171
60	min	85.5	88.0	90.1	90.8	91.3	91.7	91.9
120	min	51.2	52.6	54.0	54.7	55.0	55.3	55.6
180	min	35.3	36.5	37.3	38.0	38.3	38.5	38.6
240	min	28.2	29.0	29.6	30.1	30.4	30.6	30.7
300	min	23.7	24.0	24.2	24.5	24.7	24.8	24.9
480	min	15.7	16.0	16.3	16.5	16.6	16.7	16.7
600	min	13.4	13.8	14.1	14.3	14.4	14.5	14.5
1200	min	7.38	7.48	7.55	7.61	7.65	7.69	7.72

- Discharge Rates in Amperes to Various End Voltages at 25°C (77°F)

End Voltage		1.85V	1.80V	1.75V	1.70V	1.67V	1.65V	1.60V
Time								
5	min	210	238	265	290	300	305	308
10	min	185	200	210	220	228	235	240
15	min	130	140	150	160	167	174	180
30	min	70.0	75.5	80.5	85.0	88.5	92.0	95.5
60	min	42.2	45.0	47.5	49.0	49.4	49.8	50.0
120	min	23.5	25.4	27.0	28.5	29.2	29.7	30.0
180	min	17.2	18.2	19.0	19.7	20.0	20.3	20.5
240	min	14.0	14.6	15.2	15.5	15.6	15.6	15.7
300	min	12.0	12.4	12.8	12.9	13.0	13.0	13.1
480	min	8.00	8.50	9.02	9.17	9.19	9.21	9.22
600	min	6.80	7.05	7.30	7.42	7.47	7.49	7.50
1200	min	3.58	3.69	3.78	3.81	3.83	3.84	3.85

All data on the spec. sheet is an average value:

The tolerance range : X<6min(+15%~-15%), 6min ≤ X<10min(+12%~-12%), 10min ≤ X < 60min(+8%~-8%), X ≥ 60min(+5%~-5%)

220824-1B