

⚡ Specifications

Nominal Voltage(V)

12V

Nominal Capacity

20 hour rate	(1.3A to 10.50V)	26Ah
10 hour rate	(2.47A to 10.50V)	24.7Ah
5 hour rate	(4.42A to 10.20V)	22.1Ah
1 C	(26A to 9.60V)	14.73Ah
3 C	(78A to 9.60V)	10.4Ah

Weight

Approx. 9.1kg(20.0Lbs.)

Internal Resistance (at 1KHz)

Approx. 7.2 mΩ

Maximum Discharge Current for

5 seconds: 390A

Charging Methods at 25°C(77°F)

Cycle use:	
Charging Voltage	14.4 to 15.0V
Coefficient -5.0mV/°C/cell	
Maximum Charging Current :	7.8A
Standby use:	
Float Charging Voltage	13.5 to 13.8V
Coefficient -3.0mV/°C/cell	

Operating Temperature Range

Charge	-15°C(5°F) to 40°C(104°F)
Discharge	-15°C(5°F) to 50°C(122°F)
Storage	-15°C(5°F) to 40°C(104°F)

Charge Retention (shelf life) at 20°C(68°F)

1 month	97%
3 month	92%
6 month	85%

Case Material

ABS UL94 HB
Option: Flammability resistance of (UL94 V-0)

Design Life

EUROBAT(20°C):3-5 YEARS STANDARD COMMERCIAL

Terminal

F6



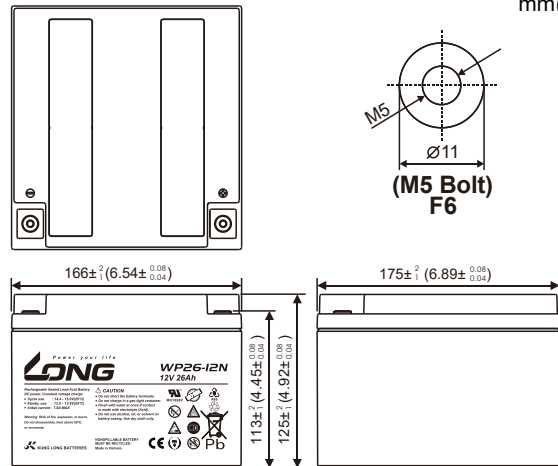
⚡ Dimensions

Length (L)	166± ² _{0.04} (6.54± ^{0.08} _{0.04})
Width (W)	175± ² _{0.04} (6.89± ^{0.08} _{0.04})
Height (H)	125± ² _{0.04} (4.92± ^{0.08} _{0.04})
Overall Height (HT)	125± ² _{0.04} (4.92± ^{0.08} _{0.04})

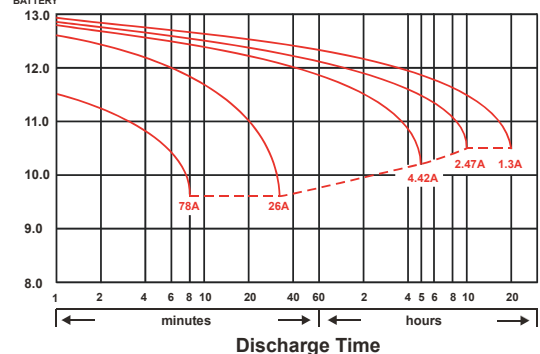
Description of torque value of hardware for the terminals:

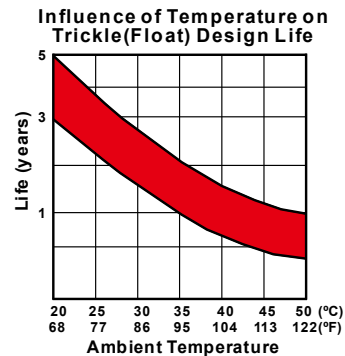
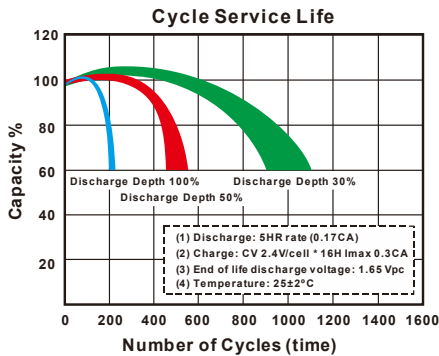
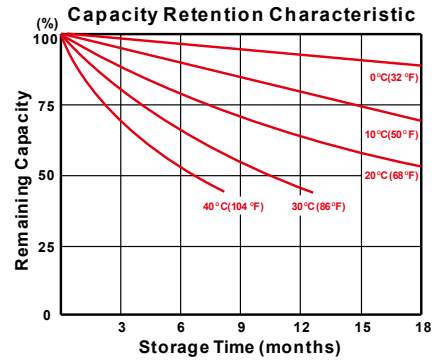
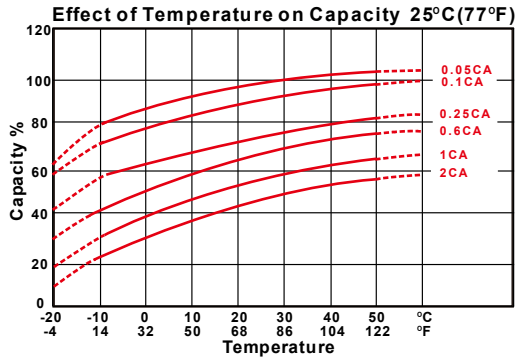
Recommended torque value	M5: 4 N-m (41kgf-cm)
Maximum allowable torque value	M5: 6 N-m (61kgf-cm)

mm(inch)



(V) FOR 12V BATTERY Discharge Time VS. Discharge Current (25°C)





- PERFORMANCE DATA

Discharge Rates in Watts to Various End Voltages at 25°C(77°F)

End Voltage		1.85V	1.80V	1.75V	1.70V	1.67V	1.65V	1.60V
5	min	134	157	170	177	183	189	194
10	min	104	114	119	124	129	131	133
15	min	75.6	88.5	95.6	98.9	101	103	104
30	min	42.3	45.3	47.2	48.7	49.7	50.5	51.3
60	min	29.6	30.8	31.8	32.4	33.0	33.5	33.9
120	min	18.8	19.4	19.8	20.2	20.5	20.7	20.9
180	min	12.5	12.9	13.1	13.3	13.5	13.7	14.0
240	min	10.1	10.3	10.5	10.6	10.8	10.9	11.0
300	min	8.59	8.77	8.91	8.96	8.99	9.01	9.02
600	min	4.80	4.90	4.94	4.97	4.99	5.01	5.03
1200	min	2.57	2.62	2.65	2.68	2.71	2.74	2.76

- Discharge Rates in Amperes to Various End Voltages at 25°C(77°F)

End Voltage		1.85V	1.80V	1.75V	1.70V	1.67V	1.65V	1.60V
5	min	70.1	79.7	87.6	91.1	94.1	97.0	99.1
10	min	55.6	62.7	64.8	66.1	67.4	68.7	69.9
15	min	43.8	45.7	48.8	49.8	50.7	51.6	52.5
30	min	25.2	27.8	28.9	29.8	30.5	31.1	31.7
60	min	15.0	15.6	16.2	16.5	16.8	17.2	17.5
120	min	9.12	9.35	9.60	9.70	9.80	9.89	10.0
180	min	6.32	6.45	6.59	6.73	6.87	7.00	7.13
240	min	5.37	5.48	5.54	5.60	5.65	5.70	5.74
300	min	4.38	4.46	4.51	4.55	4.60	4.64	4.69
600	min	2.40	2.44	2.48	2.49	2.51	2.53	2.55
1200	min	1.27	1.29	1.32	1.33	1.34	1.35	1.36

All data on the spec. sheet is an average value:

The tolerance range : X<6min(+15%~-15%), 6min≤X<10min(+12%~-12%), 10min≤X<60min(+8%~-8%), X≥60min(+5%~-5%)

060325-1R